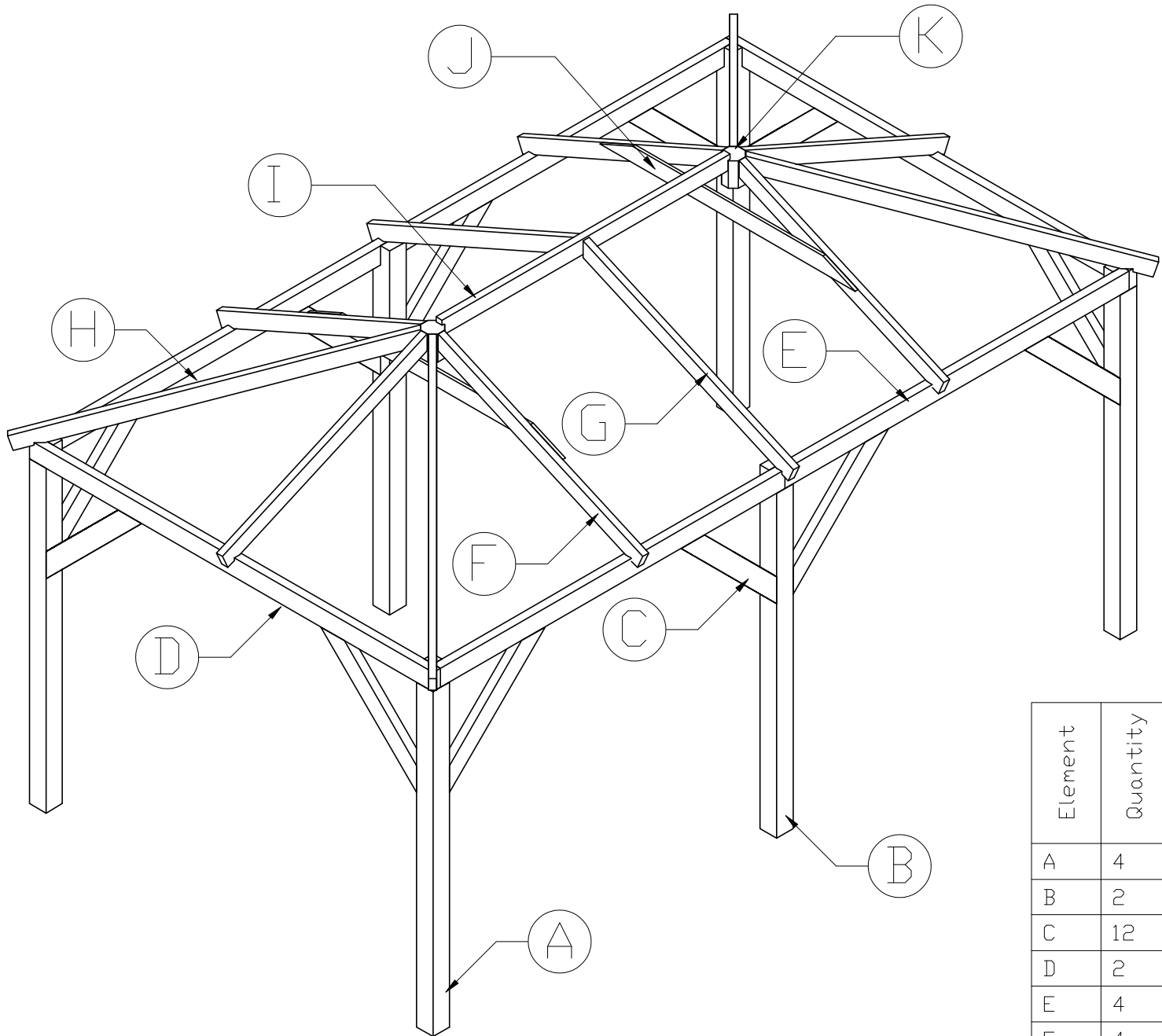


Gazebo Grande



Element	Quantity
A	4
B	2
C	12
D	2
E	4
F	4
G	2
H	4
I	1
J	2
K	2

Assembling parts		
#	Element	Q.
1	Wood screw $\varnothing 4 \times 80$	30
2	Wood screw $\varnothing 4 \times 40$	10
3	Nail $\varnothing 4 \times 100$	40

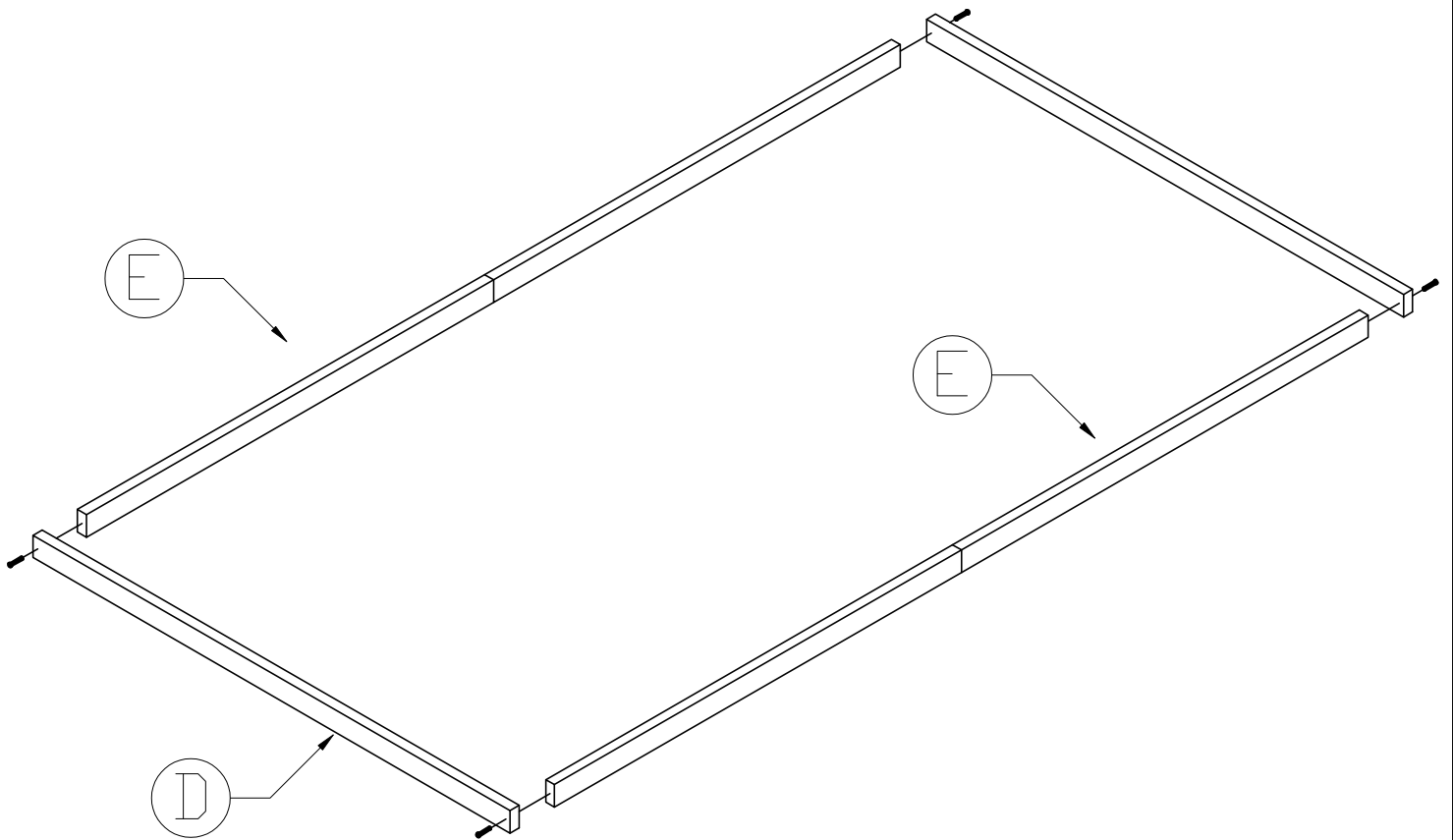
Article: Gazebo Grande

Page: 2/20

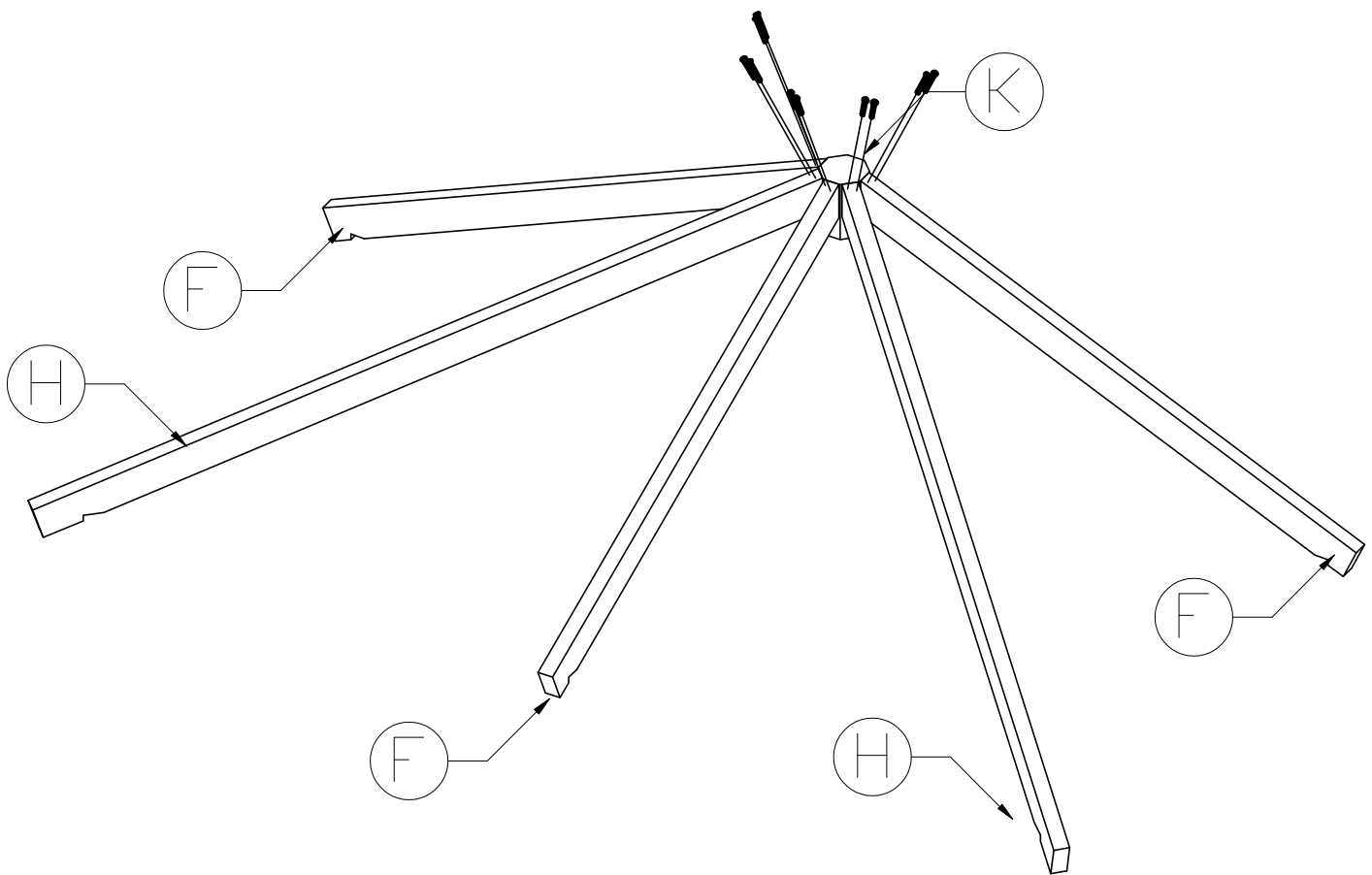
Article nr: 42.2949



4 x wood screws #1

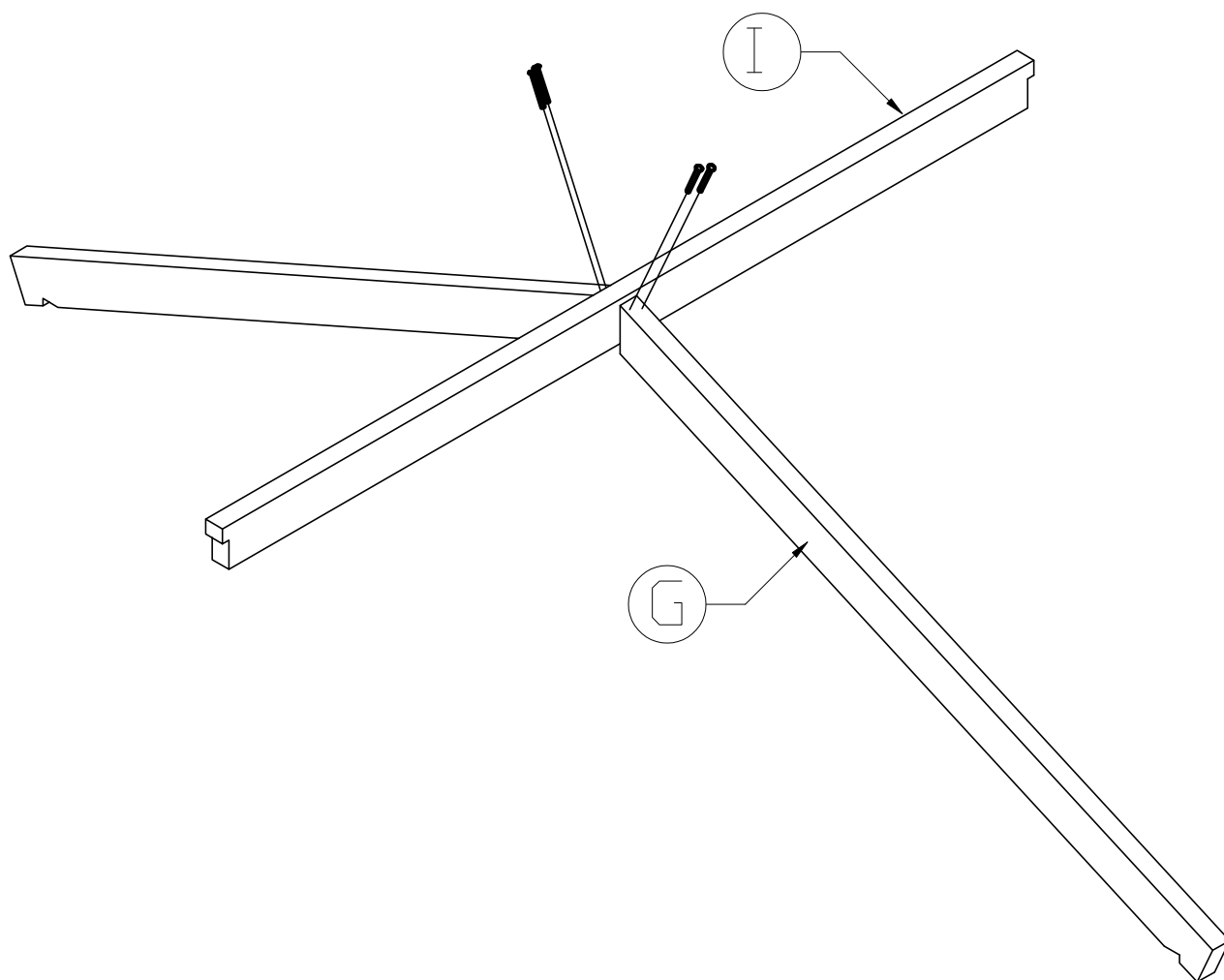


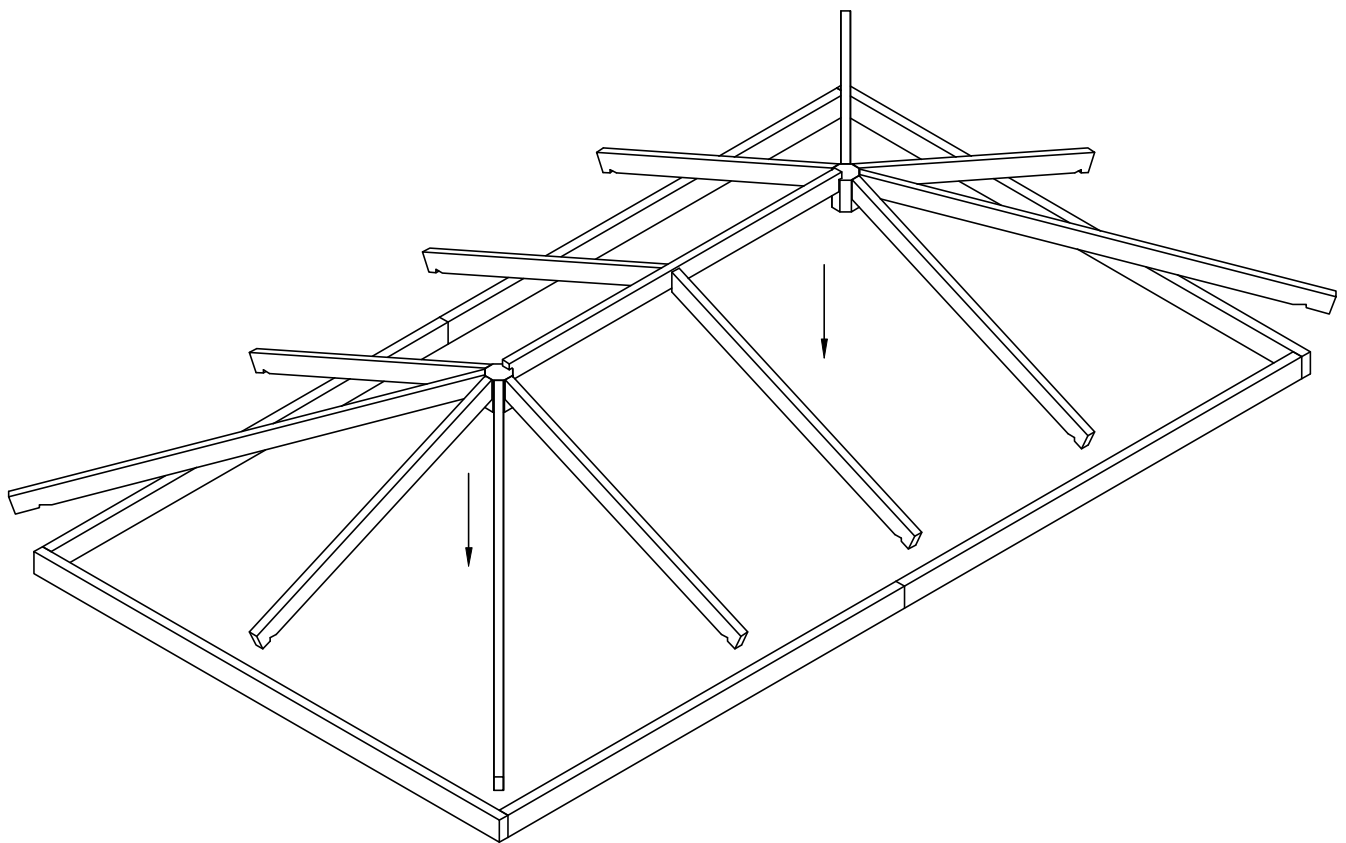
10 x wood screws #1



Make this twice

4 x wood screws #1





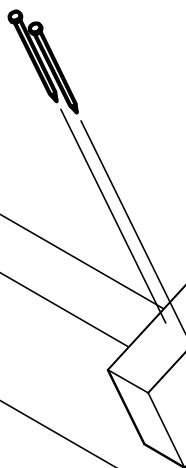
Article:
Gazebo Grande - Assemblage

Page:
6/20

Article nr:
42.2949



Use nails #3 to attach rafters to
the side beams



Article:

Gazebo Grande - Assemblage

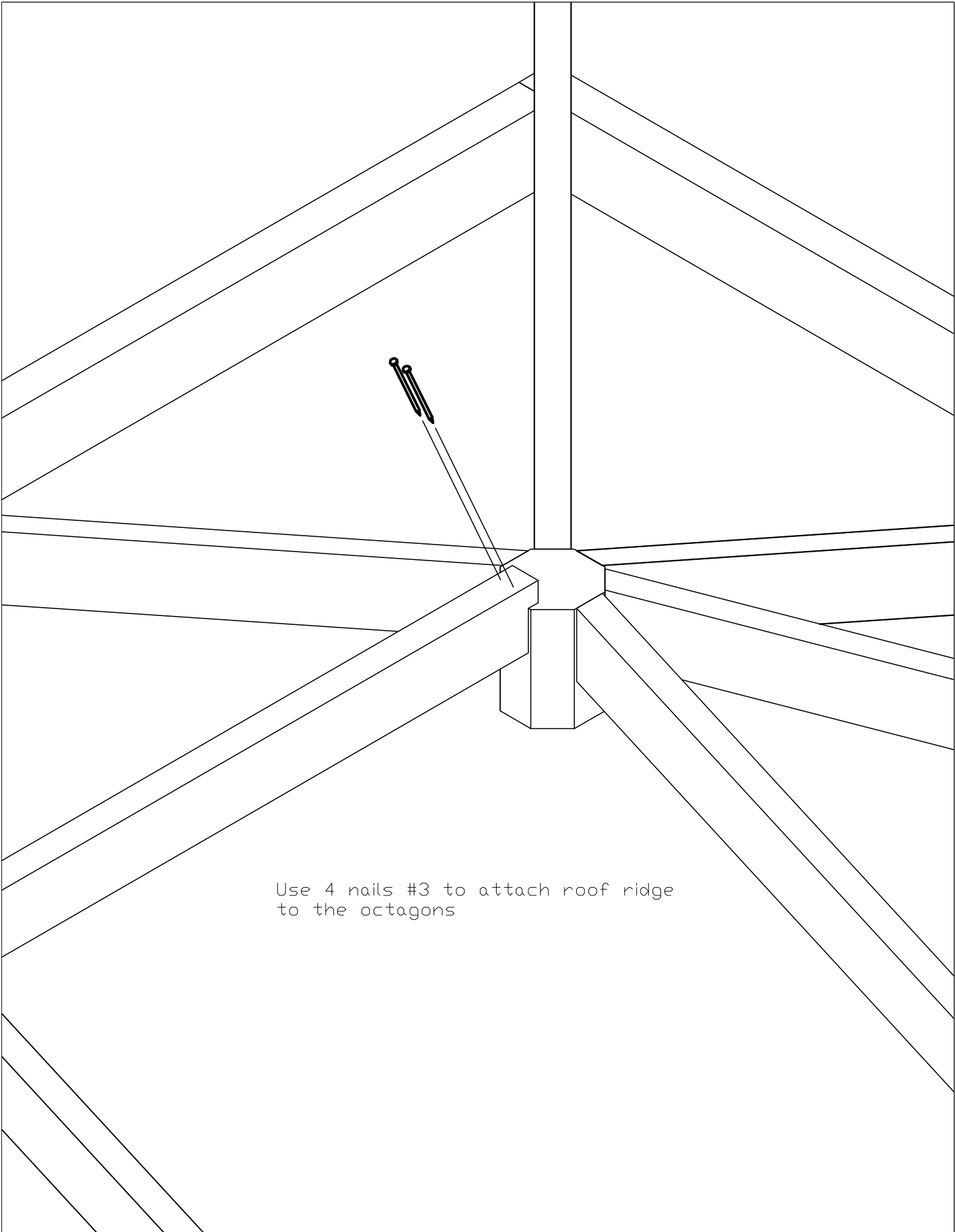
Page:

7/20

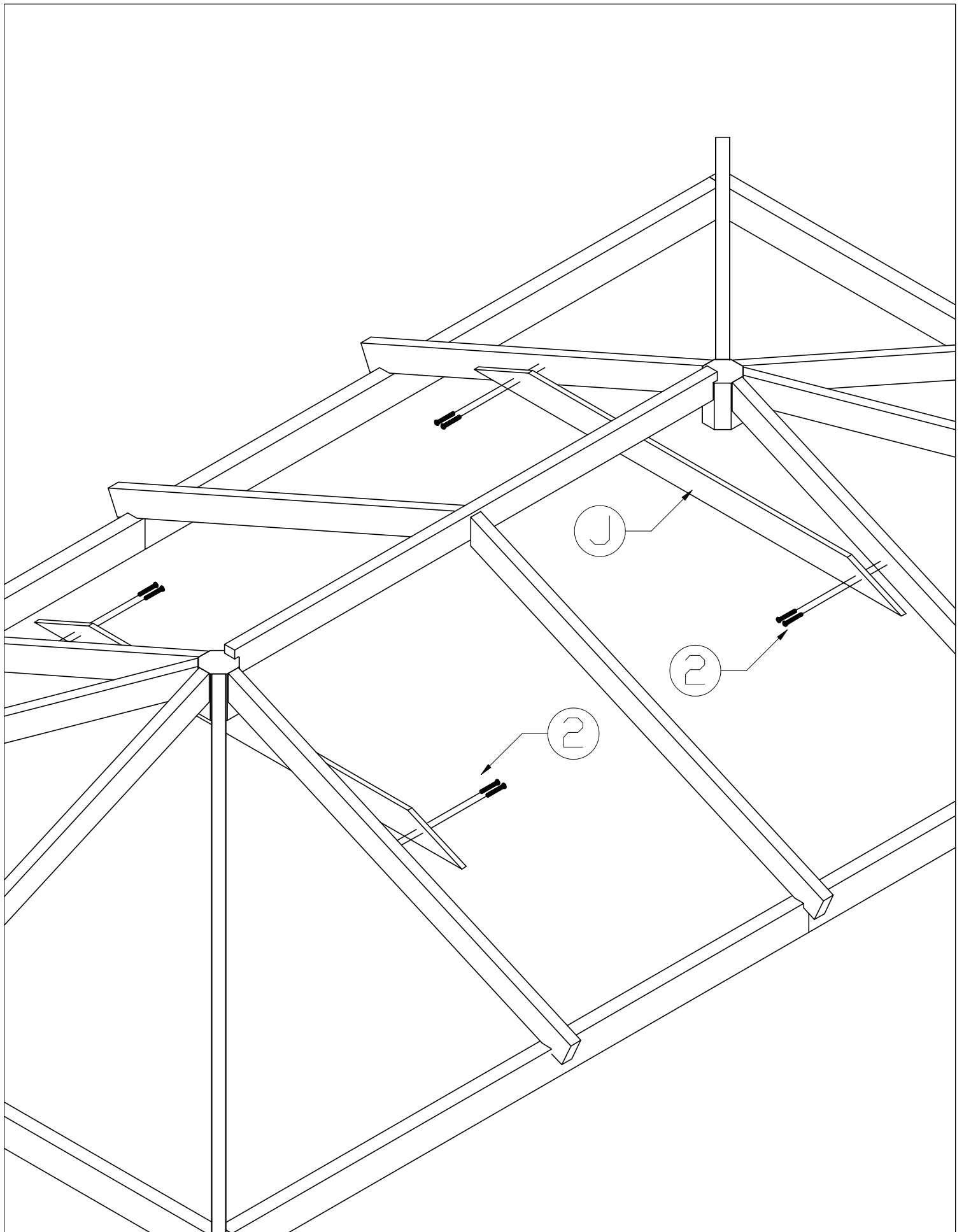
Article nr:

42.2949





Use 4 nails #3 to attach roof ridge
to the octagons

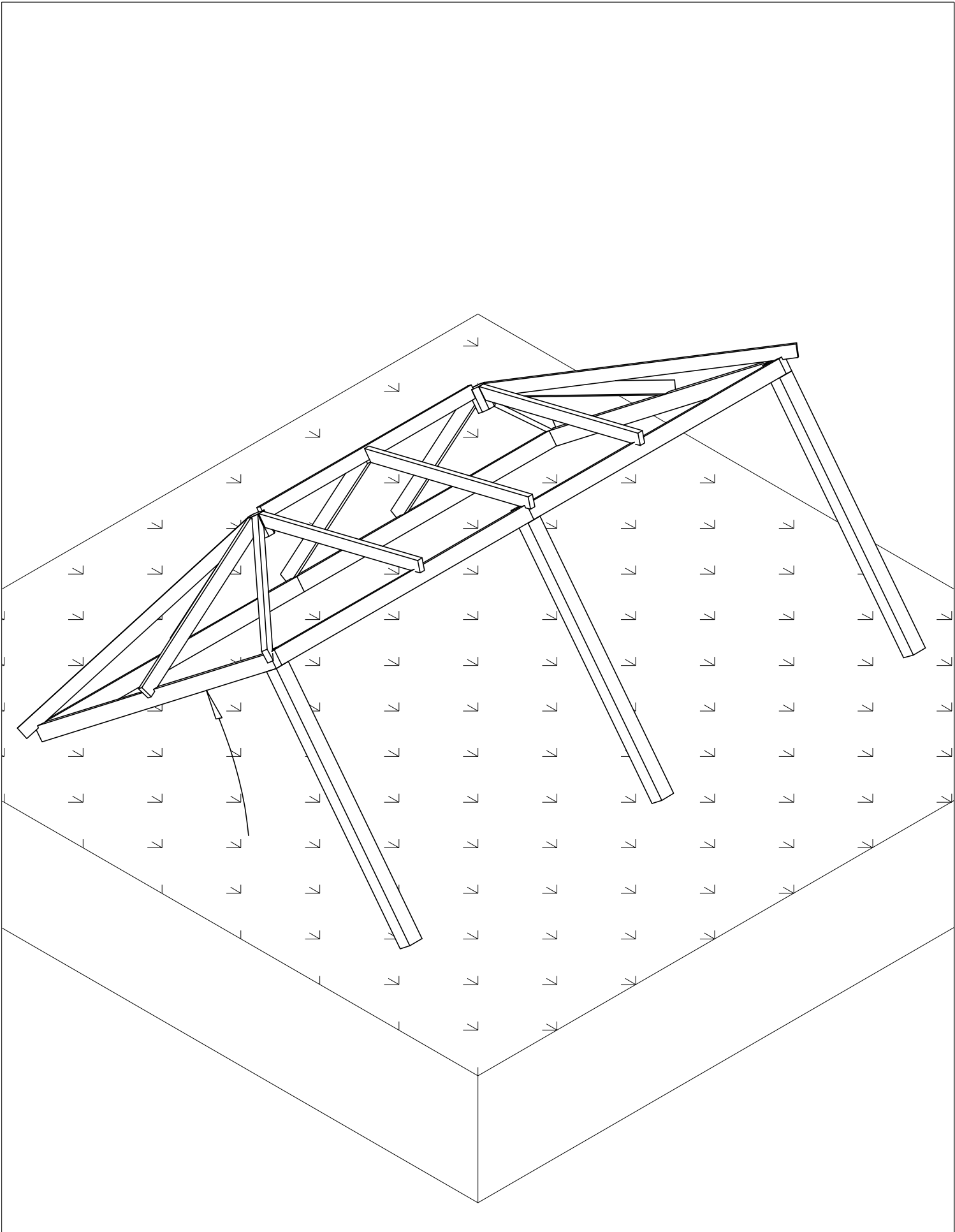


Article:
Gazebo Grande - Assemblage

Page:
9/20

Article nr:
42.2949



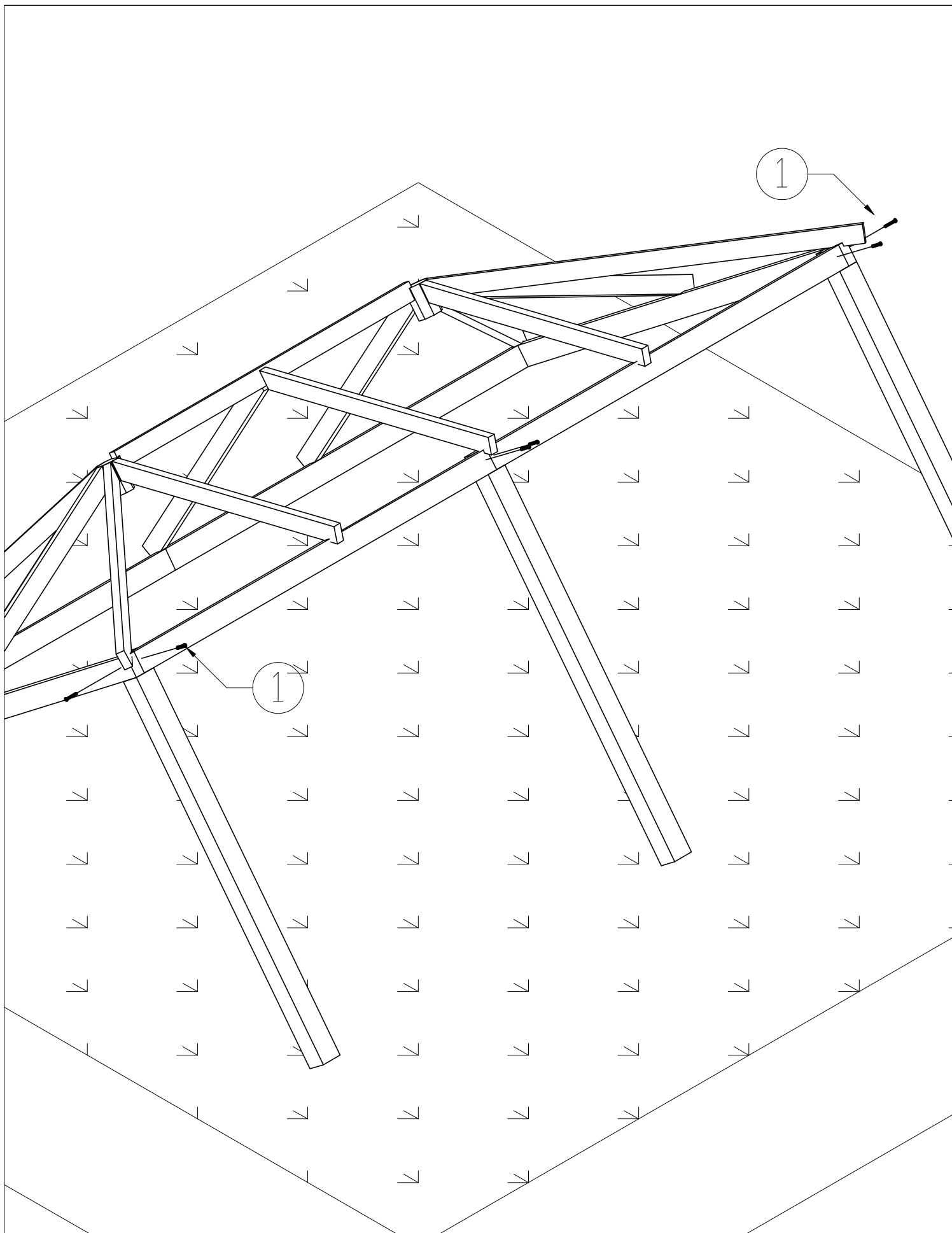


Article:
Gazebo Grande - Assemblage

Page:
10/20

Article nr:
42.2949





Article:

Gazebo Grande - Assemblage

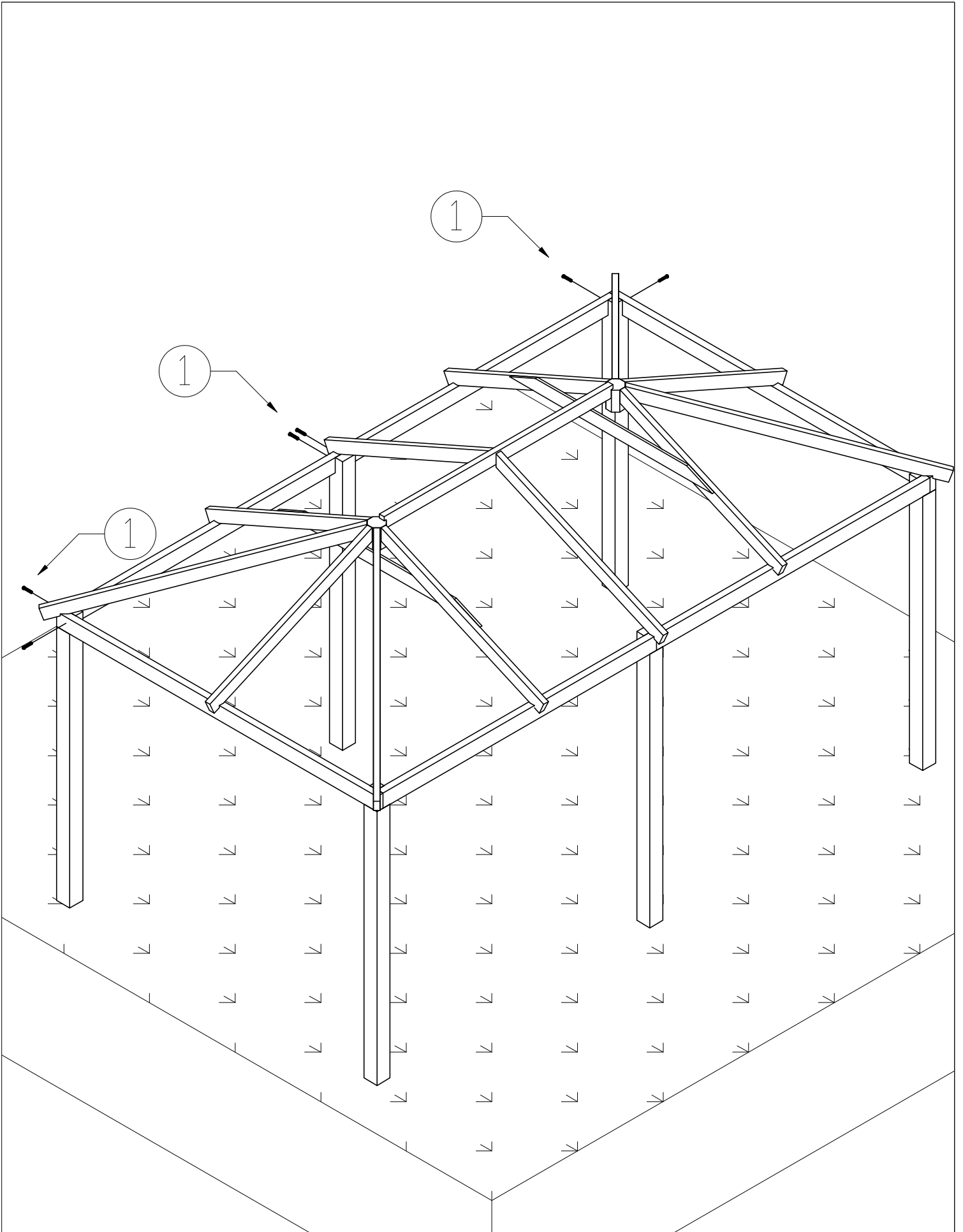
Page:

11/20

Article nr:

42.2949



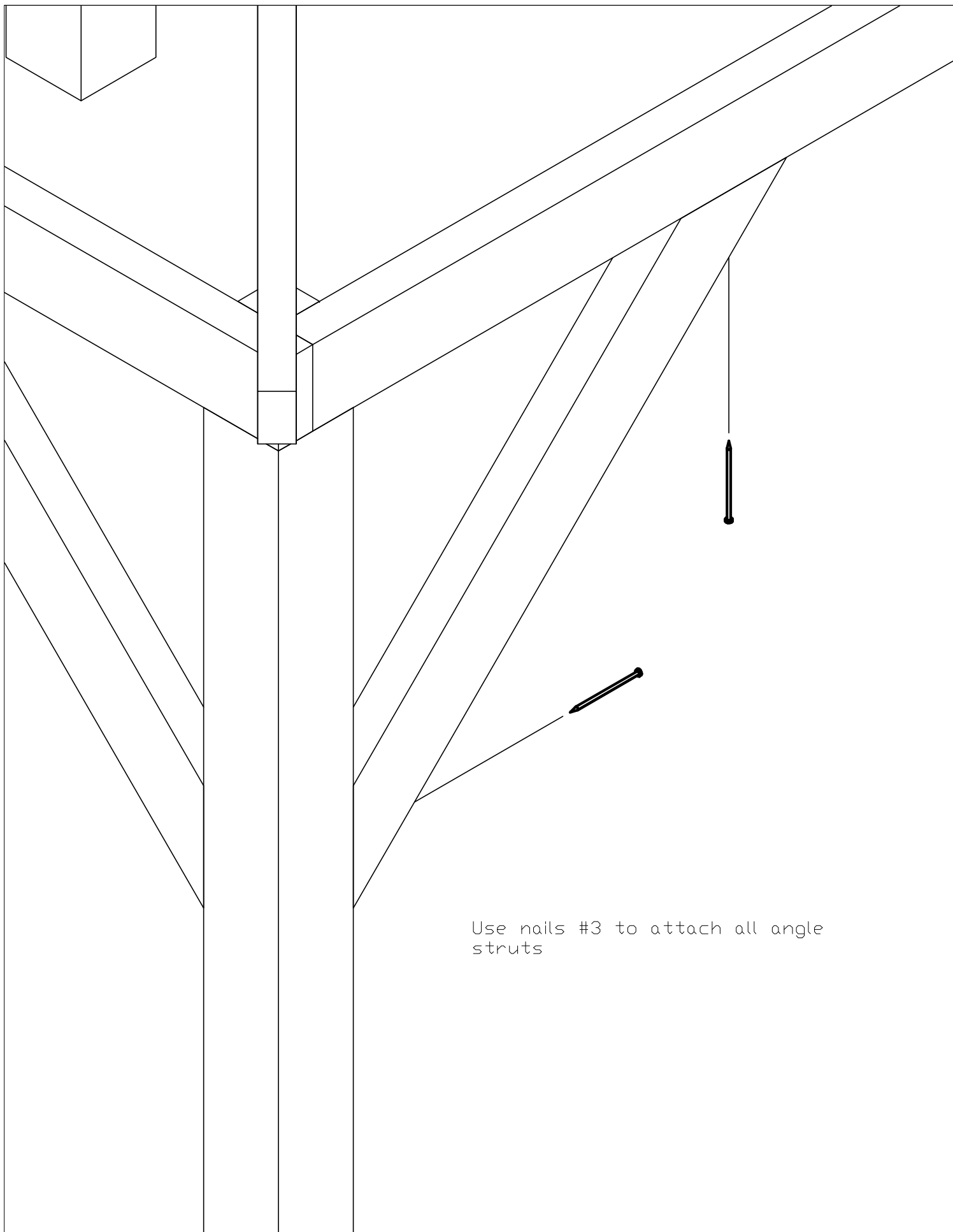


Article:
Gazebo Grande - Assemblage

Page:
12/20

Article nr:
42.2949





Use nails #3 to attach all angle struts

Article:

Gazebo Grande - Assemblage

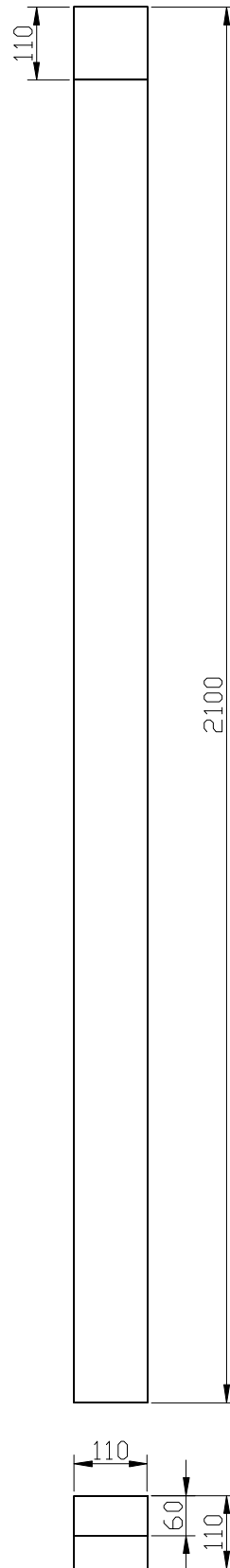
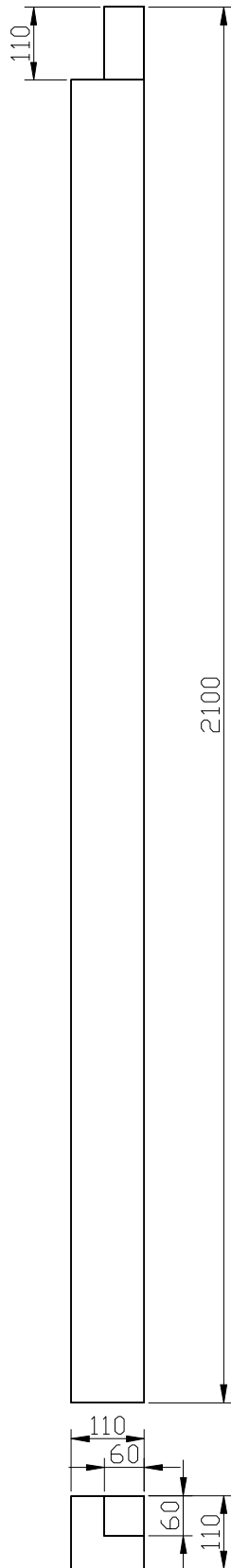
Page:

13/20

Article nr:

42.2949





Article:

Gazebo Grande - Element A and B

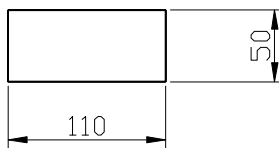
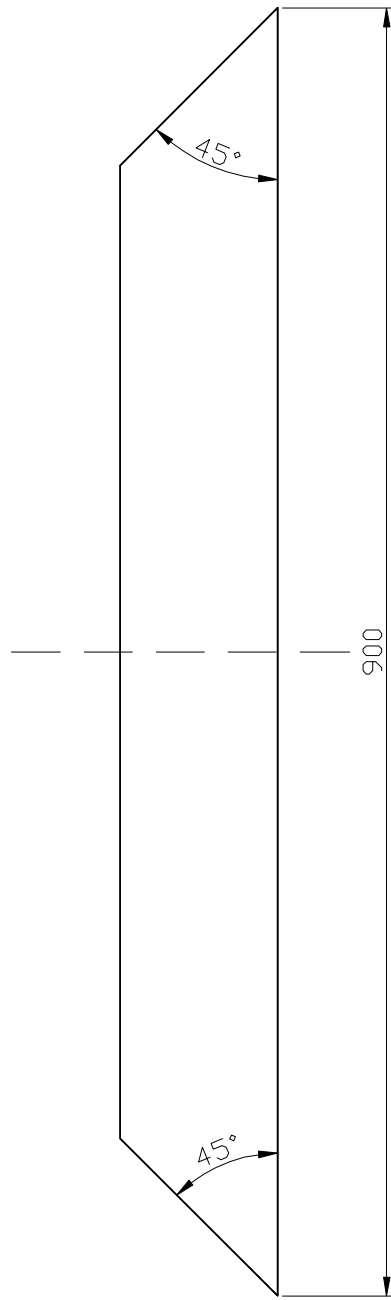
Page:

14/20

Article nr:

42.2949



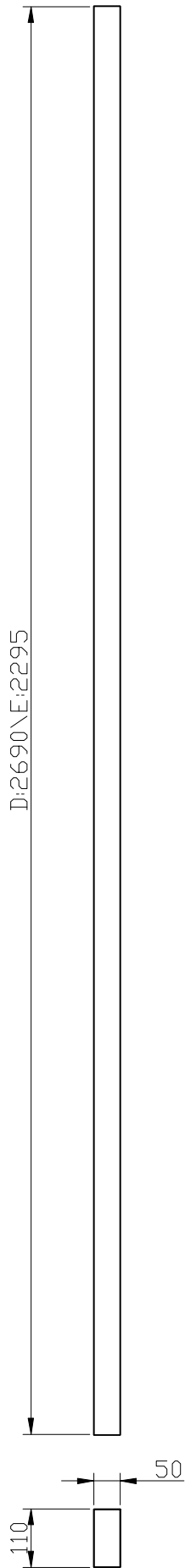


Article:
Gazebo Grande - Element C

Page:
15/20

Article nr:
42.2949





Article:

Gazebo Grande - Element D and E

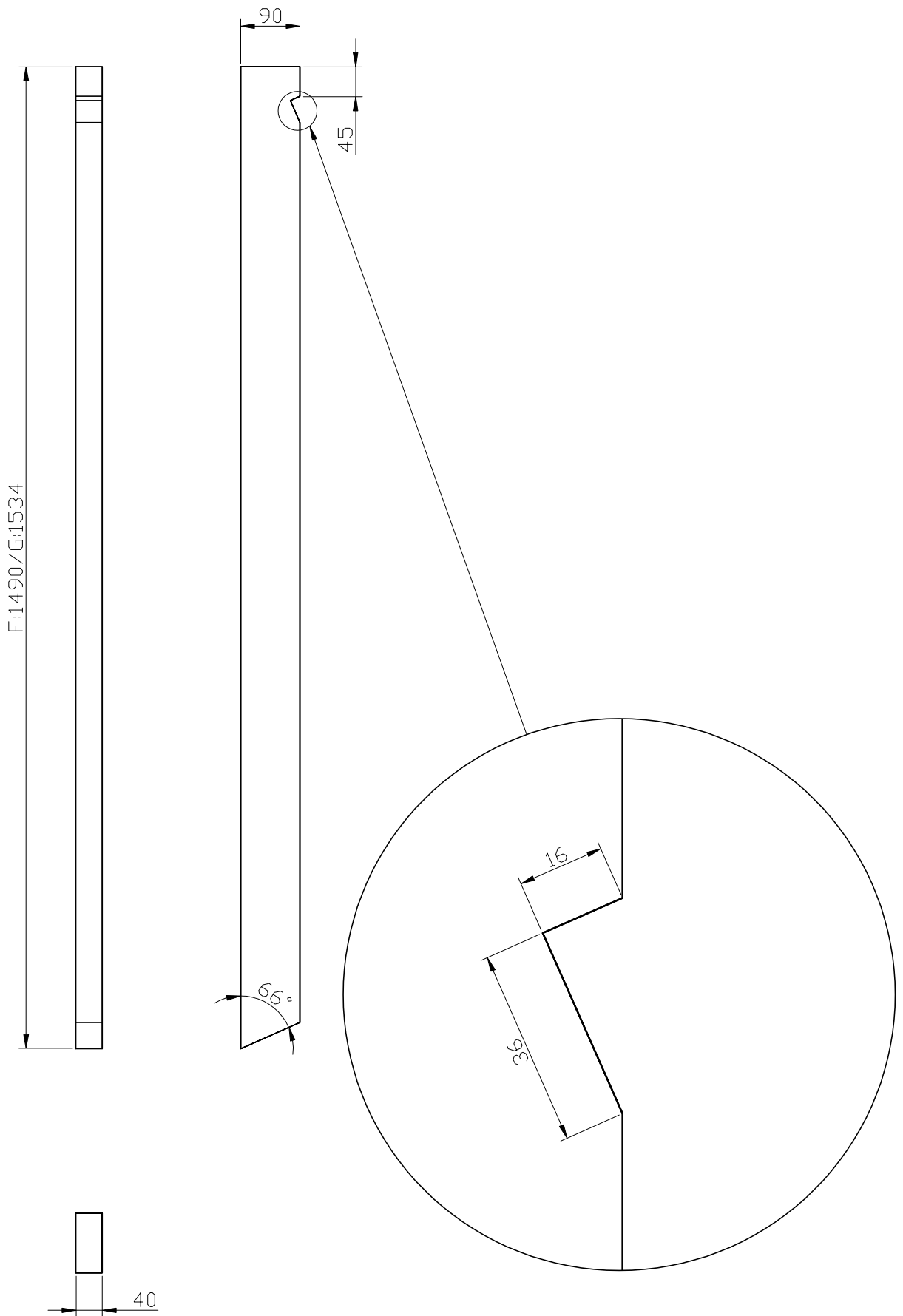
Page:

16/20

Article nr:

42.2949



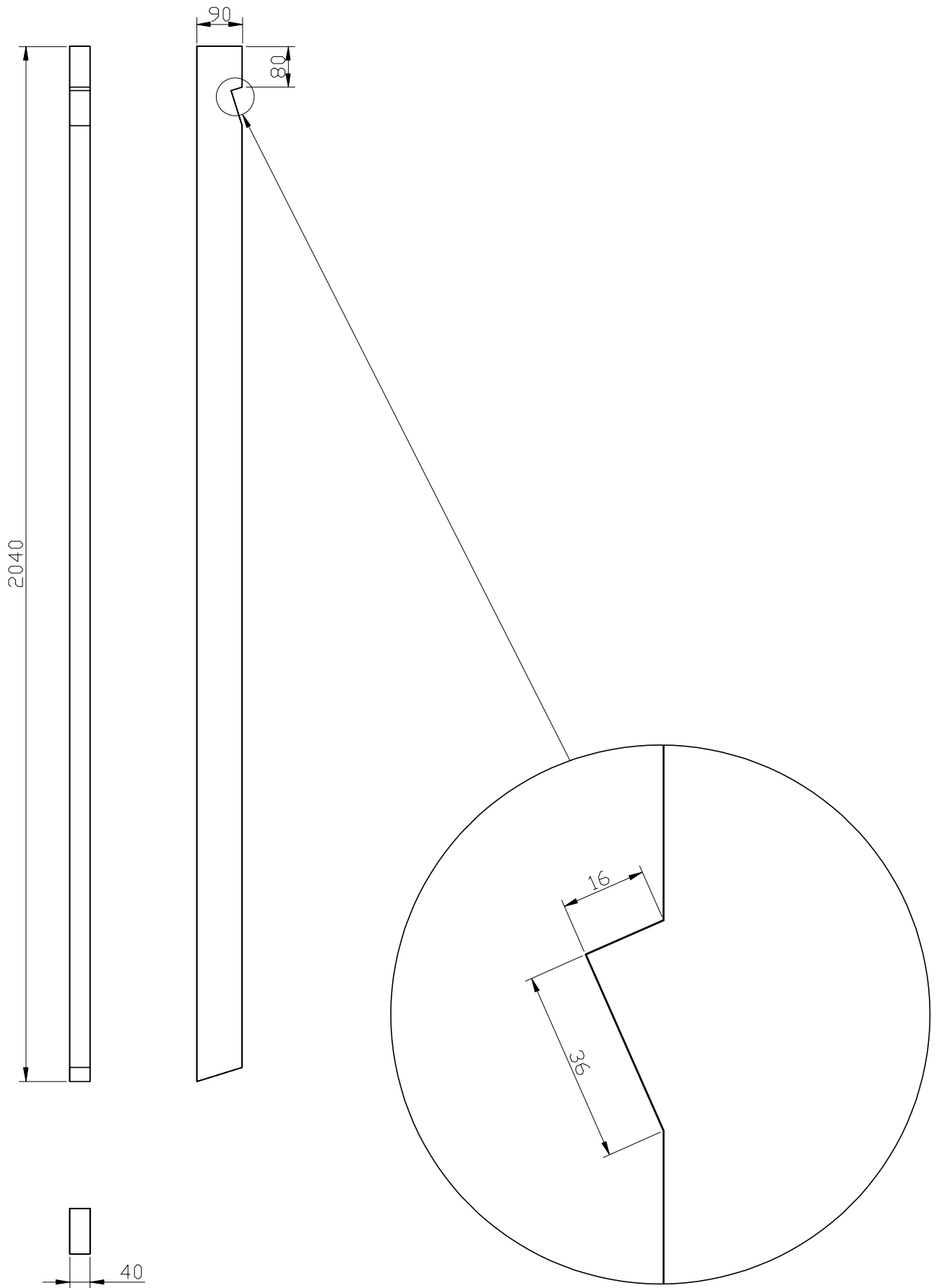


Article:
Gazebo Grande - Element F ang G

Page:
17/20

Article nr:
42.2949



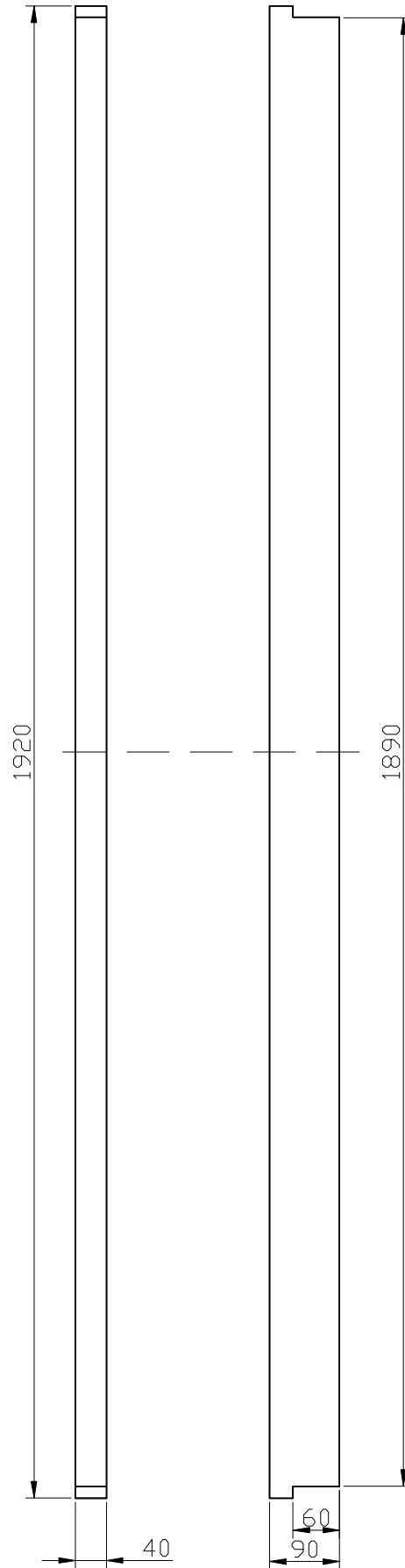


Article:
Gazebo Grande - Element H

Page:
18/20

Article nr:
42.2949



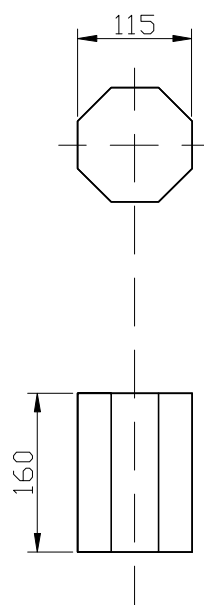
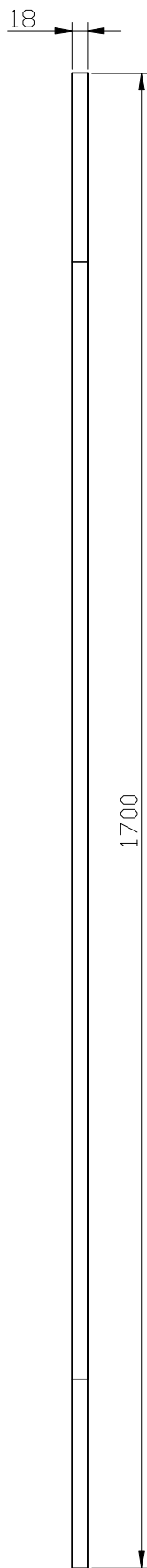
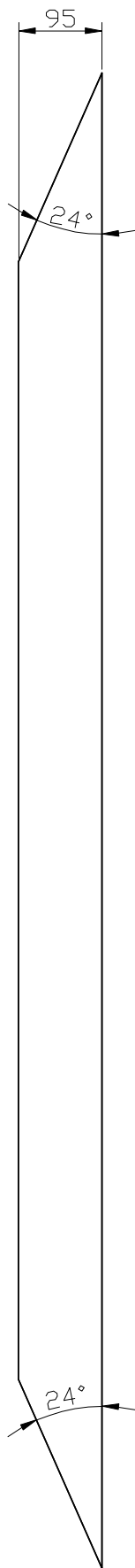


Article:
Gazebo Grande - Element I

Page:
19/20

Article nr:
42.2949





Article:

Gazebo Grande - Element J and K

Page:

20/20

Article nr:

42.2949

